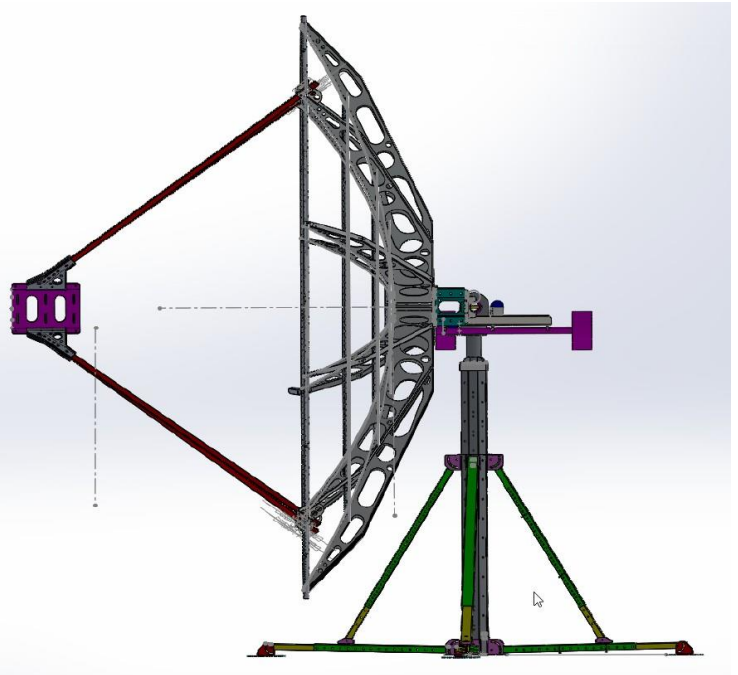


## Specifications Sheet:

### Antenna Tower Portable Tripod / 4-legged frame



#### Introduction:

The RF HAMDESIGN / SPID portable tripod (four-legged frame) is suitable for both stationary and mobile applications. Primarily designed for Rotator and antennas, it can be used for other devices as well, such as heliostats or telescopes.

It is suitable for use with the all SPID & SPX Single and Dual ax rotators.

You can find all models SPID rotators on our web-site: [www.rfhamdesign.com](http://www.rfhamdesign.com)

The tripod will comfortably withstand harsh environmental conditions - wind speeds of up to 160 km/h (100 mph) and temperatures down to -40°C, with the rotator, dish and potential counterweights fitted.

Several models tripod available, some do have a fixed mast length and some do have a variable mast length, with the leg spread fixed at 90 or 120° around the mast and the feet centered. The telescopic upper legs can be adjusted individually for a coarse level adjustment on uneven or inclined mounting surfaces (Model STR-02 and 03)

#### Models available:

We can offer 2 models tripod / 2 models 4-legged frame: (Specifications can be found on next pages)

**Model STR-01**, Tripod, Max height 670 – 830mm / Max load 30kg – Page 2

**Model STR-02**, End Of Life / No Longer available

**Model STR-03**, 4-legged frame, Max height 1500-2500mm / Max load 100kg – Page 5

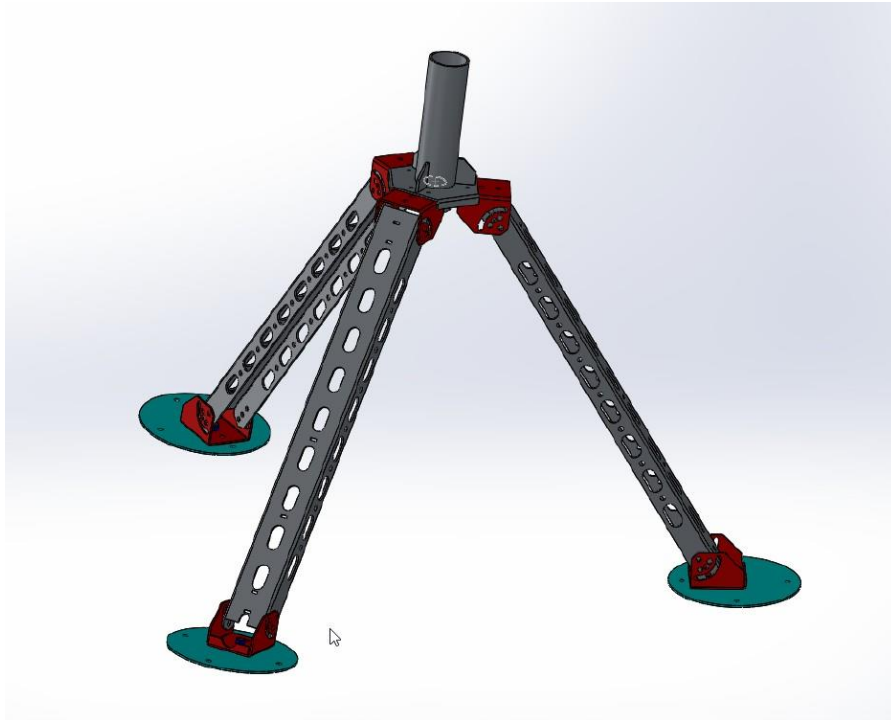
**Model STR-04**, Tripod frame, Max height 1708mm / Max load 100kg – Page 9

#### Prices:

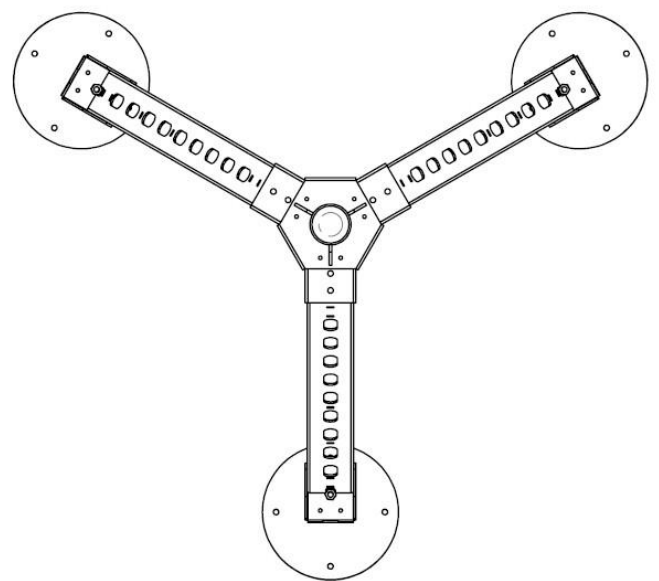
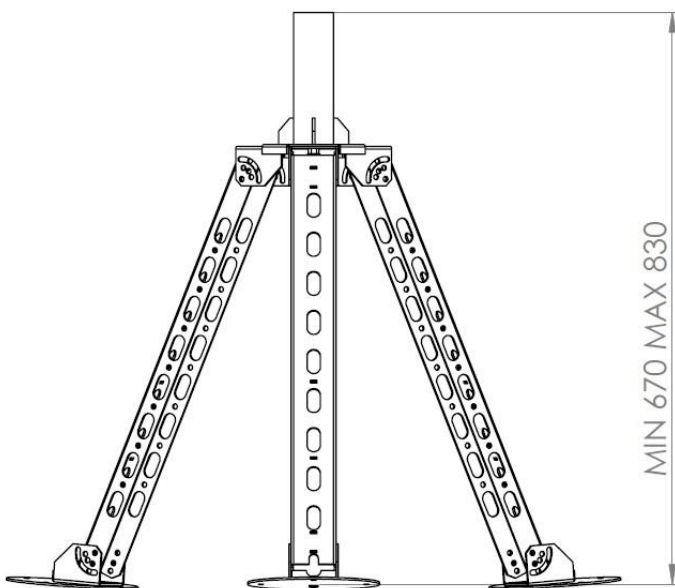
They can be found on our web-site: <http://www.rfhamdesign.com/products/index.php>

RF HAMDESIGN B.V. ships daily world wide.

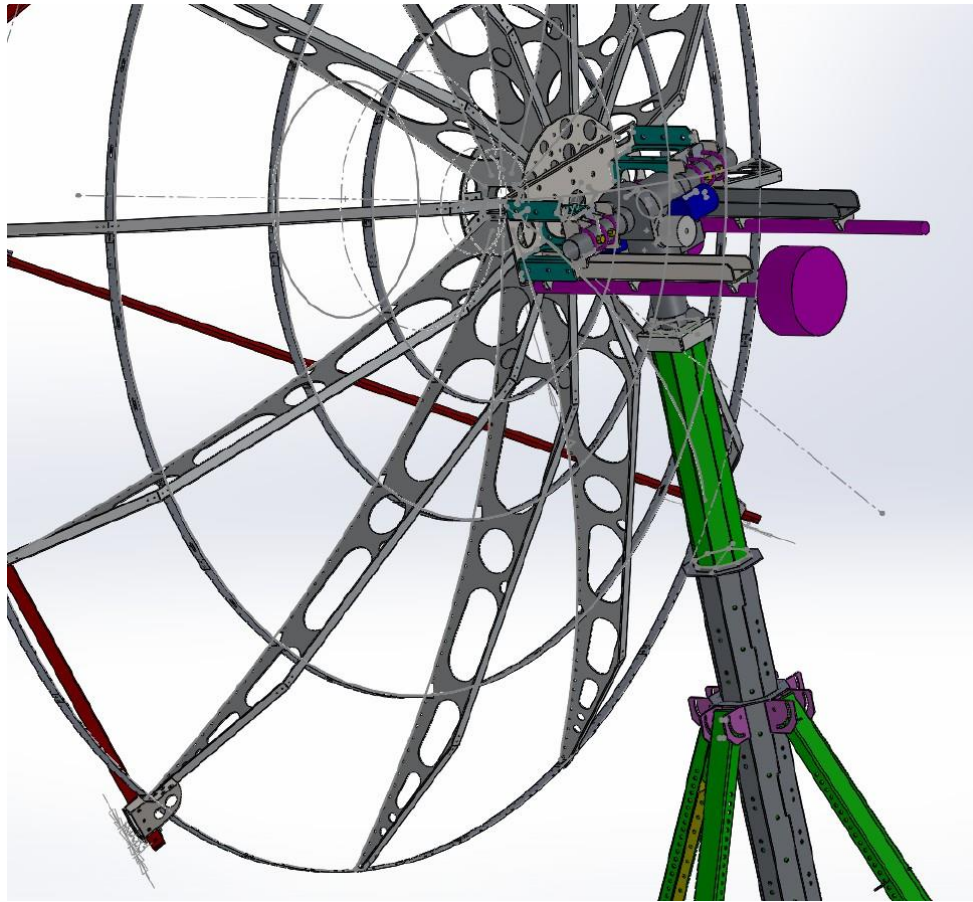
# STR-01 Tripod



Specifications STR-01	
Weight tripod	11 kg
Material	Steel 3mm (coated steel)
Max high tripod	670-830 mm
Max load tripod	30 kg
Mounting option rotor	SPID RAS / RAK / RAU



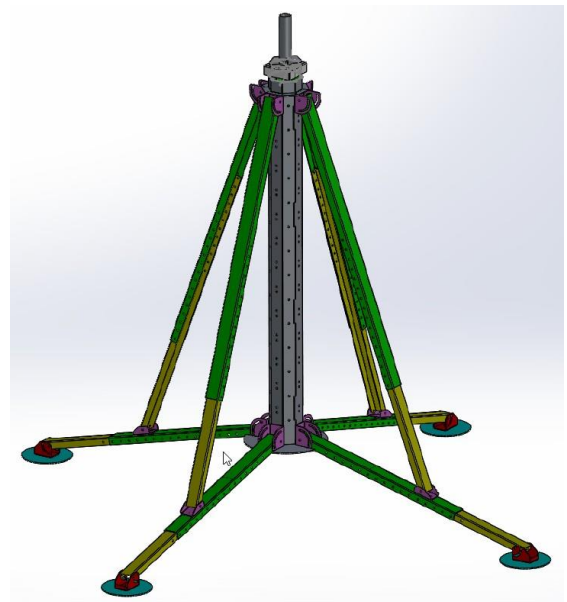
# STR-03 Four Legged Frame



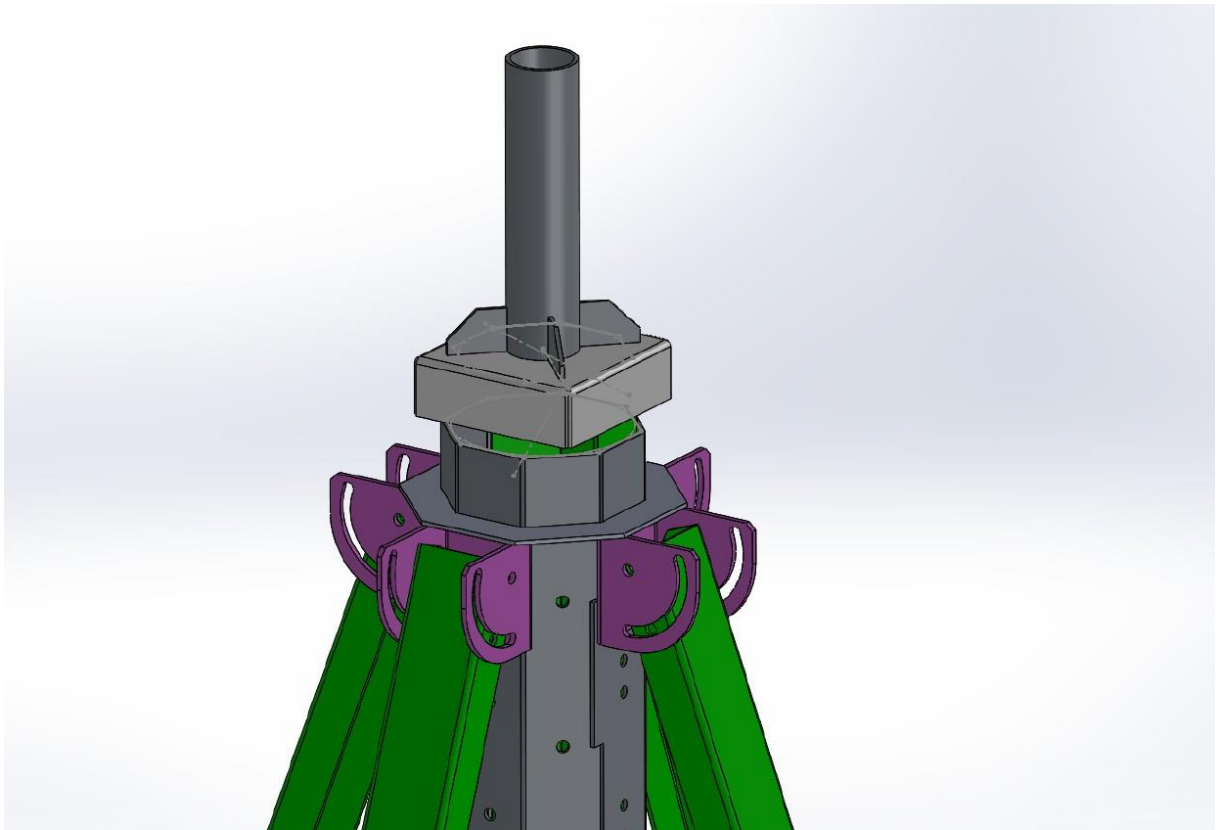
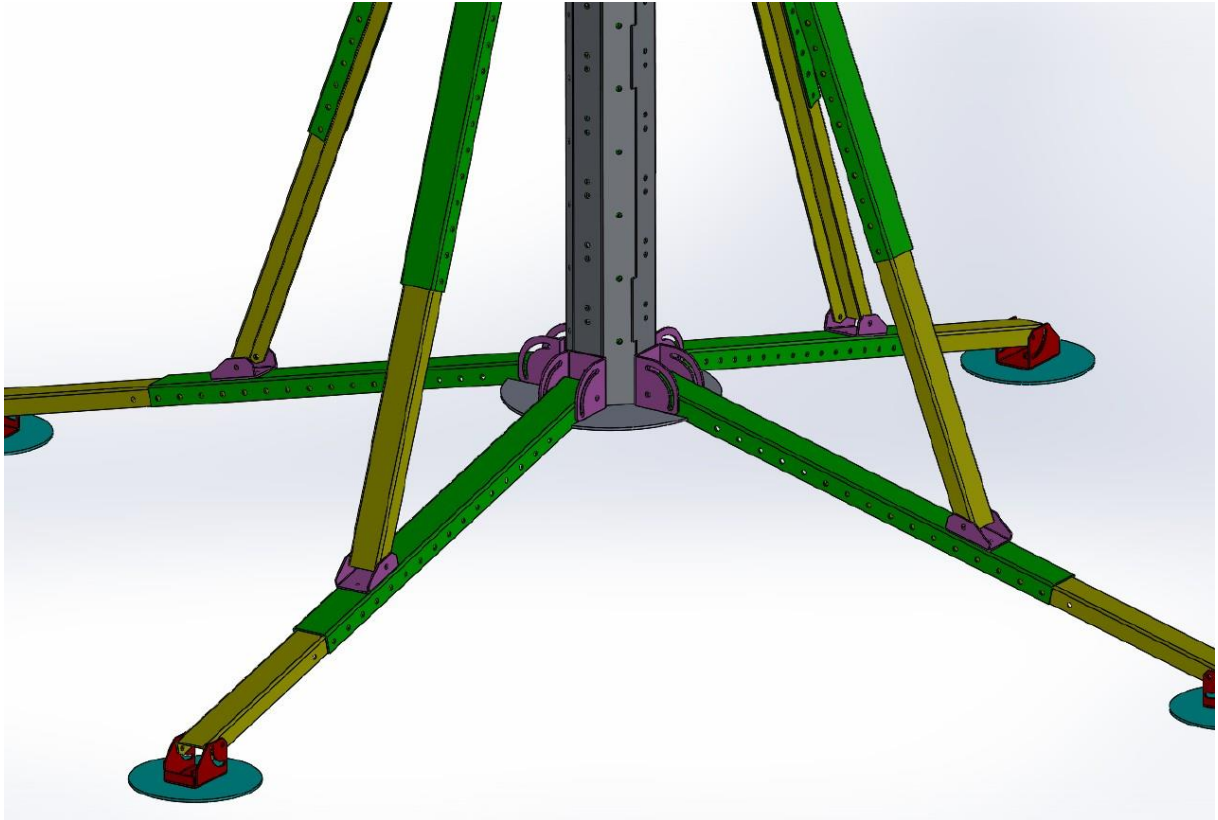
The most heaviest model stand is STR-03.

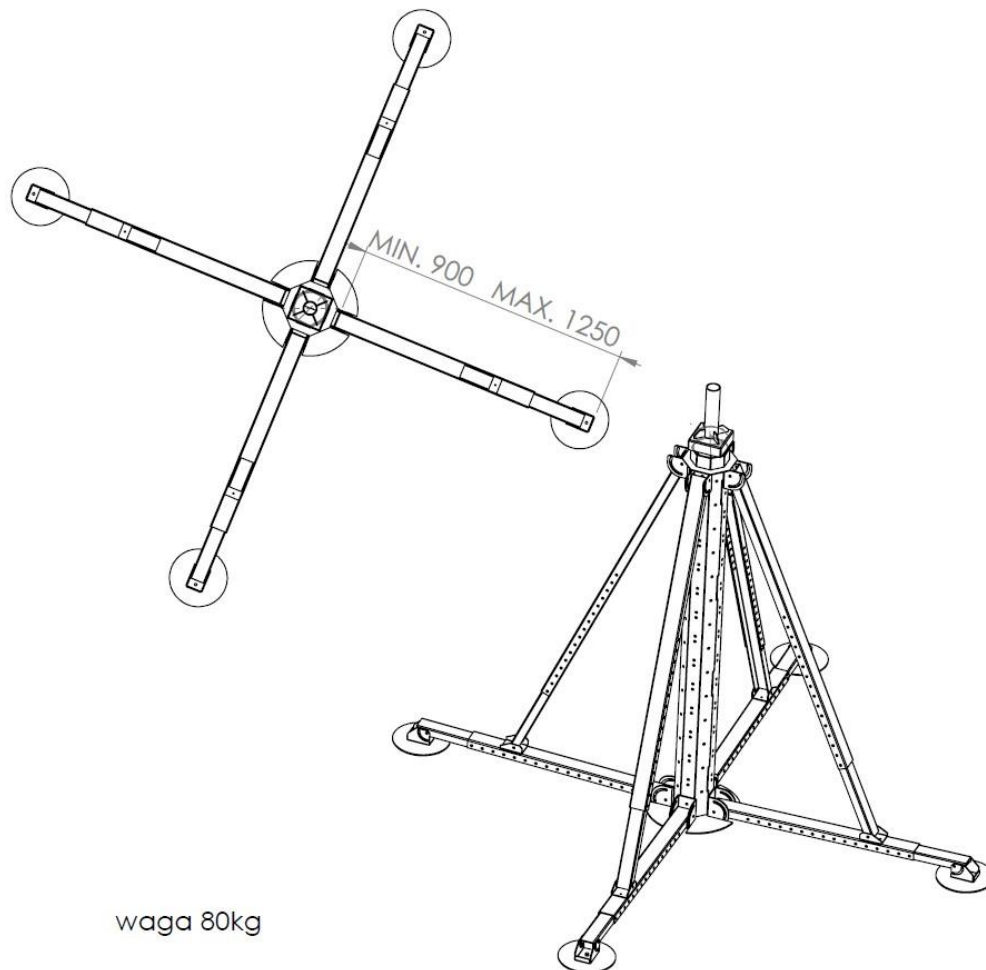
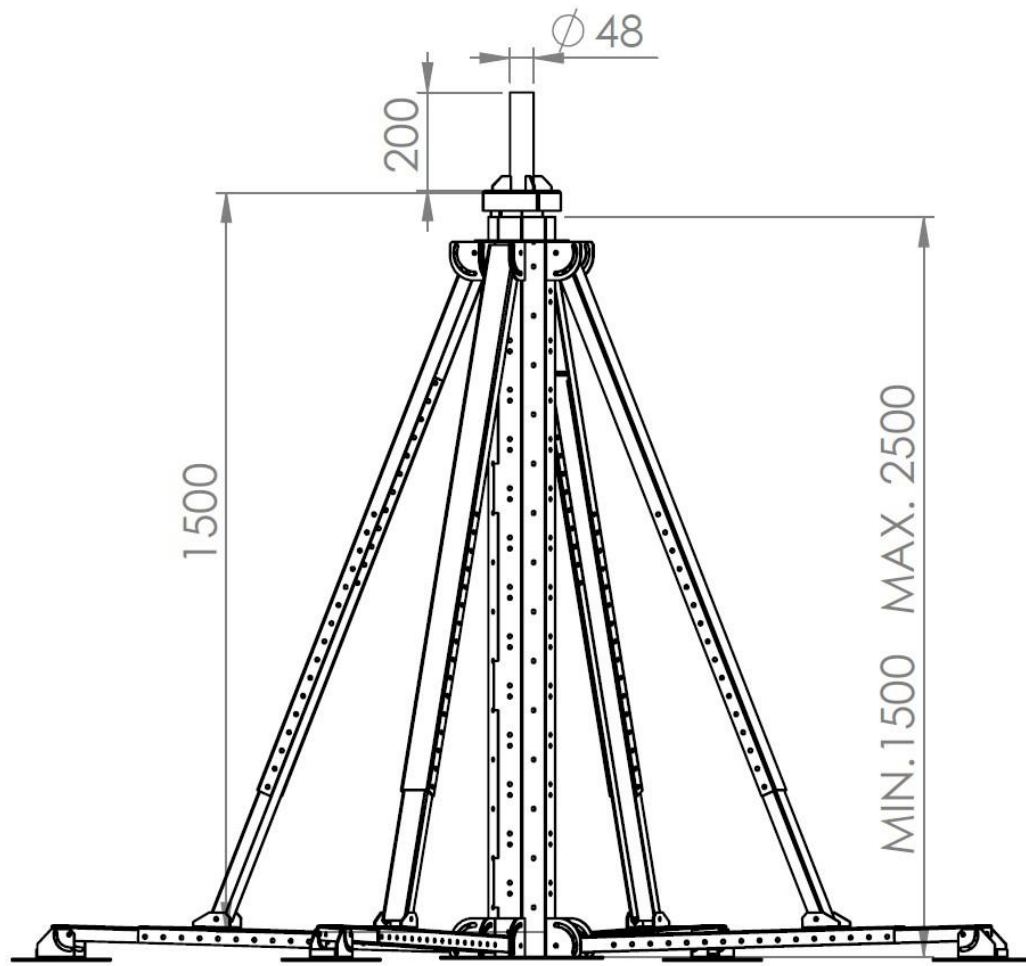
This stand can handle >100Kg mounting weight, is easy to setup and fast to bundle. With it's variable hight (max 2.5meter) you can place a 3 meter dish or yagi antanna array in no time !

A ideal Stand for protabel use when a heavy duty stand is needed !



<b>Specifications STR-03</b>	
Weight (four-legged frame)	80 kg
Material	Steel 3mm (coated steel)
Variable hight	1500 - 2500 mm
Max load	>100 kg
Mounting option rotor	SPID RAS/HR - BIG-RAS/HR

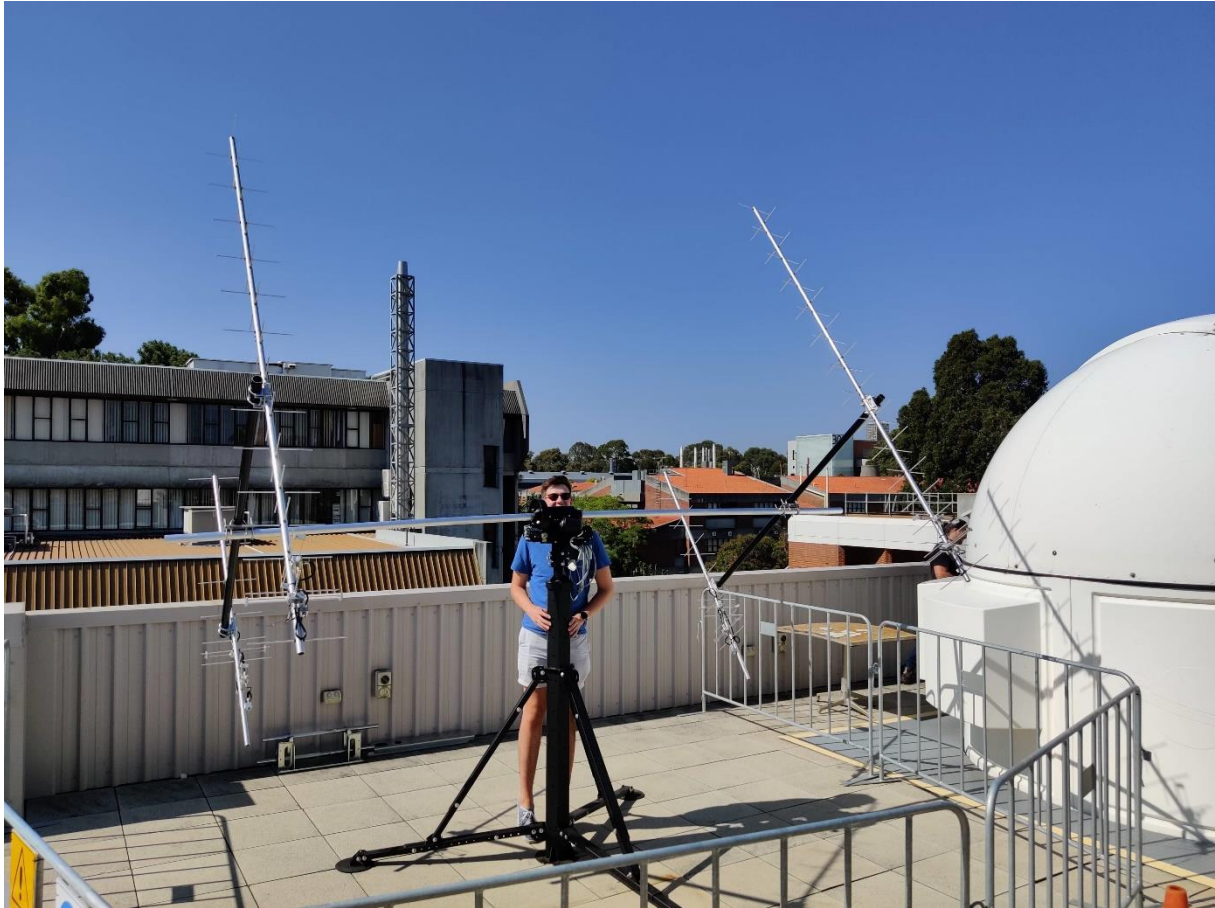




**Frame STR-03 and 2.4 Meter dish hand SPX-03 Rotor System**



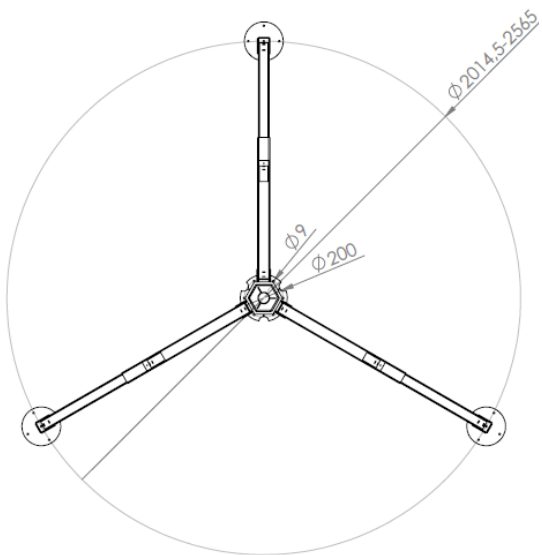
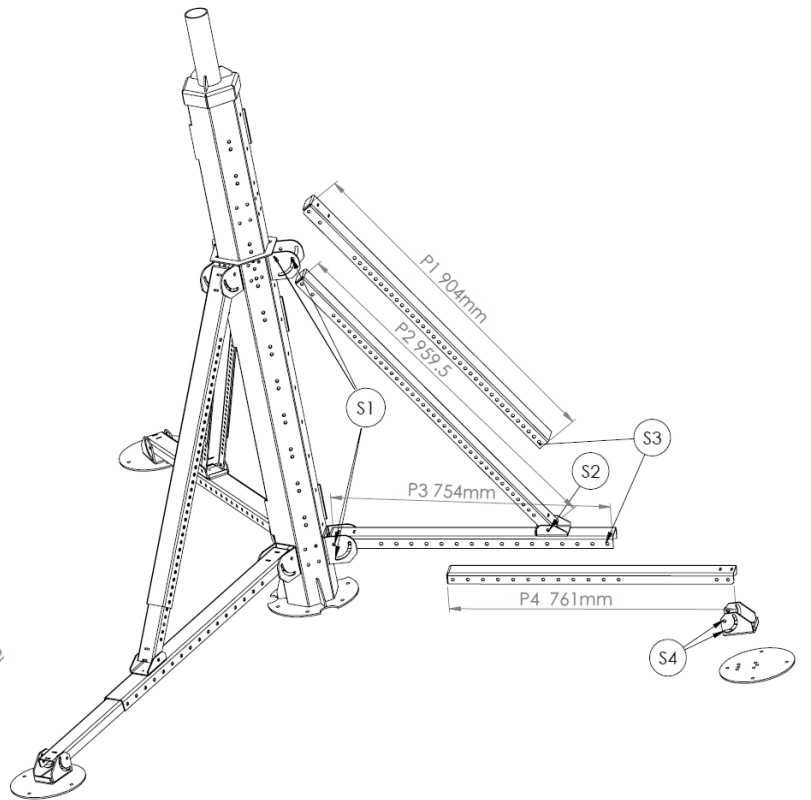
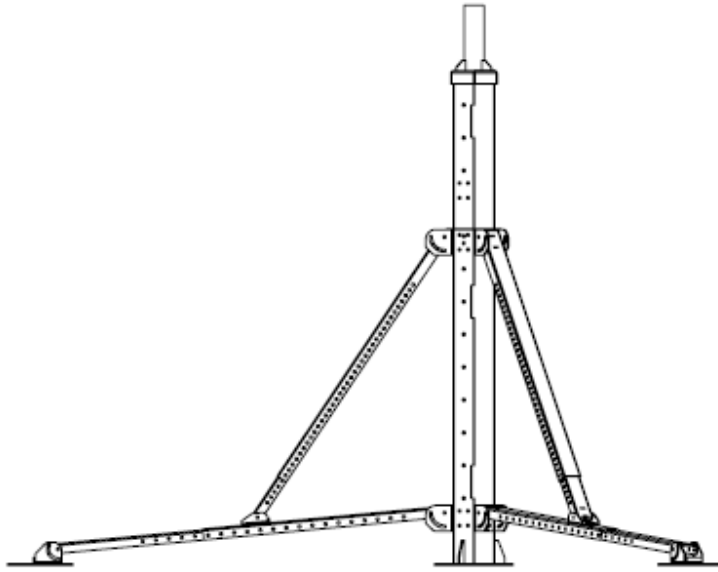
# STR-04 Tripod



Specifications STR-04	
Weight	65 kg
Material	Steel 3mm (coated steel black)
Hight tripod	1708 mm
Max load tripod	>100 kg
Mounting option rotor	SPID & SPX Rotators



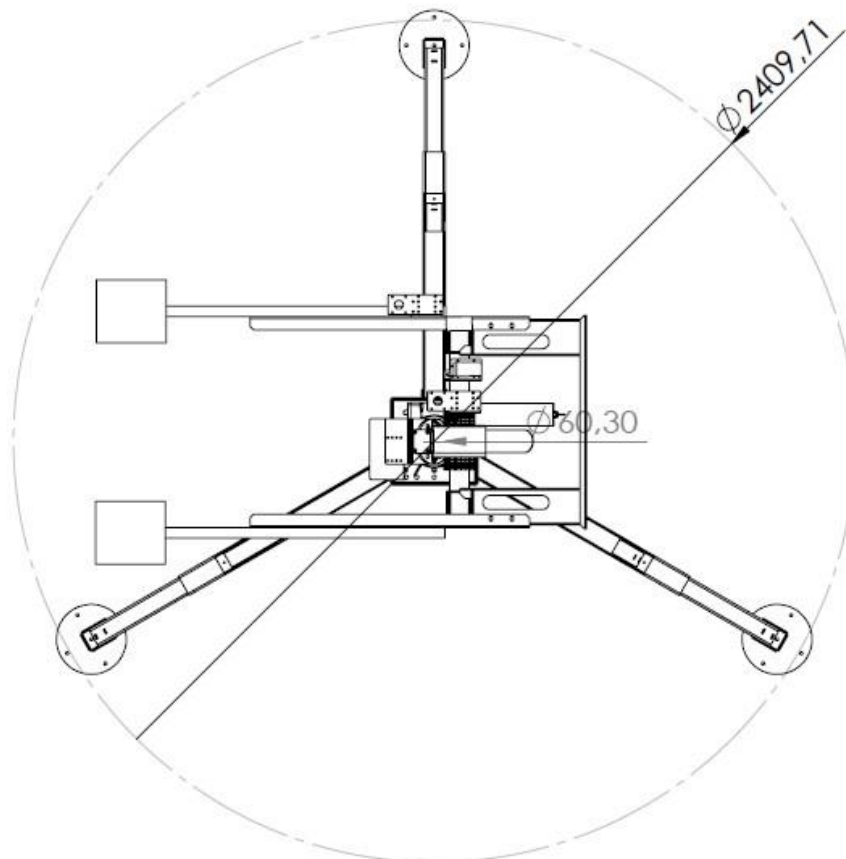
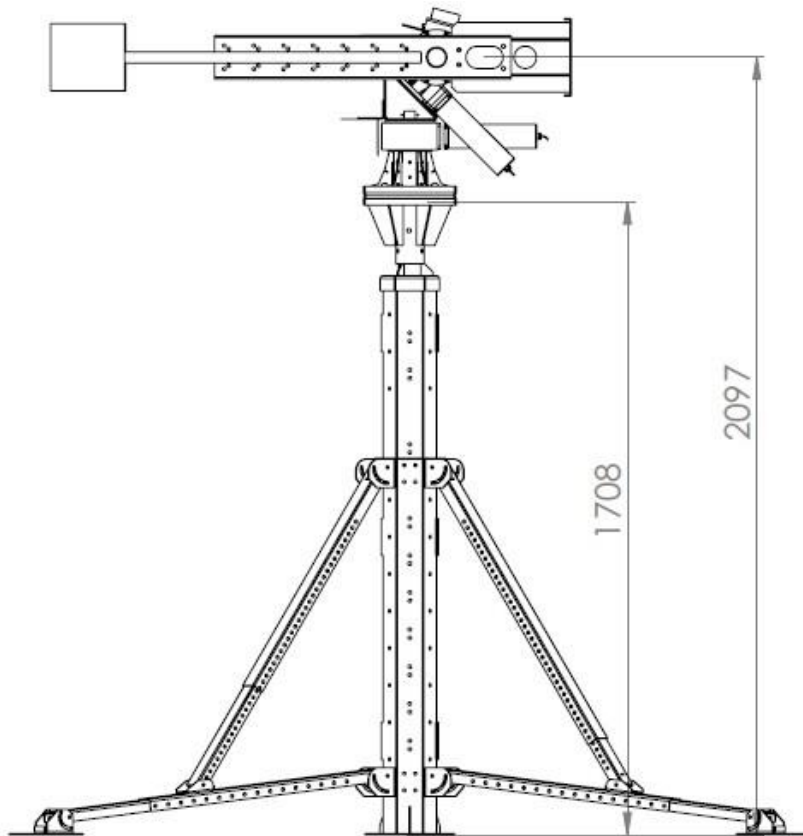
# STR-04 Tripod





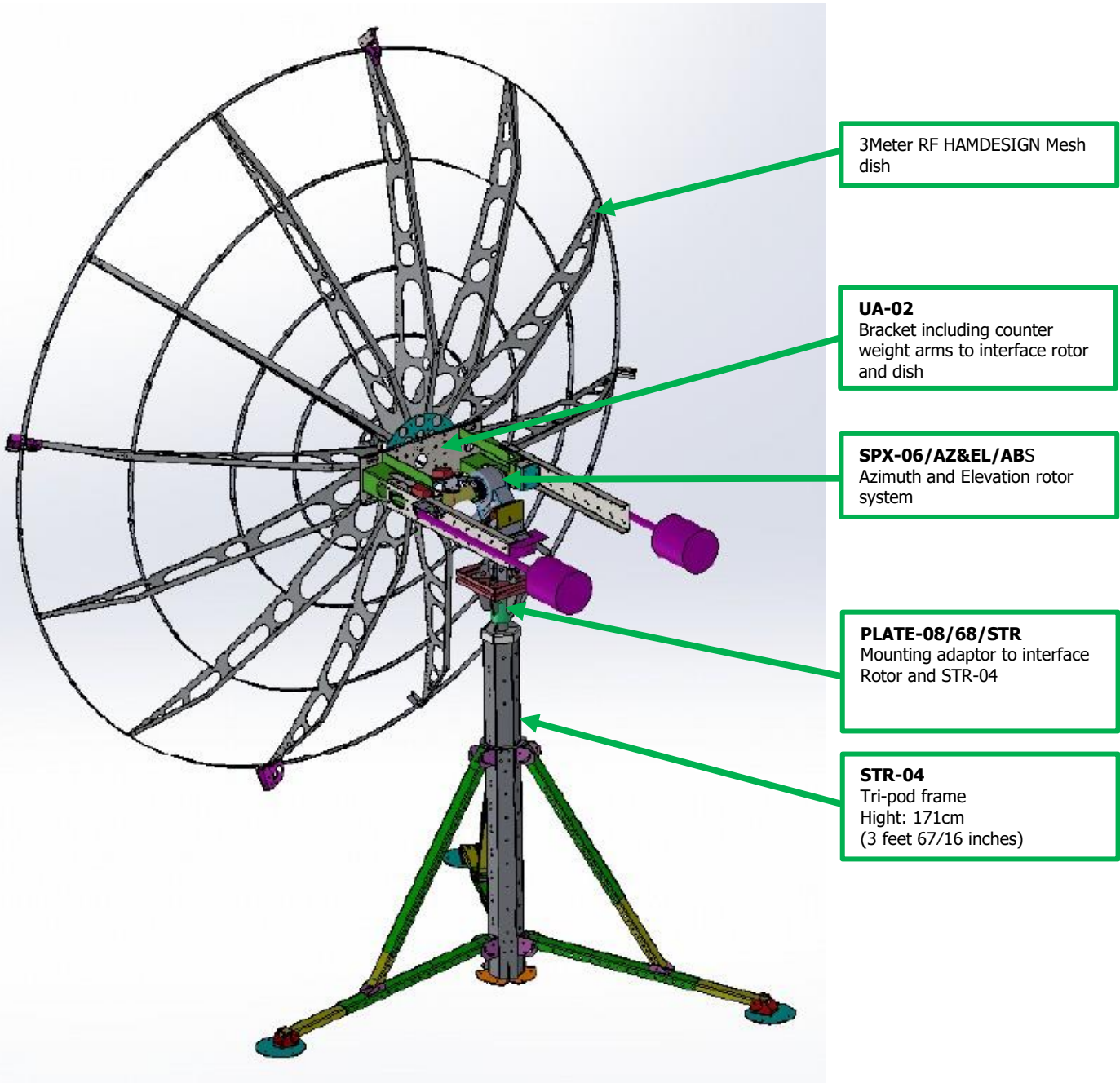
# STR-04

Mounted: UA-02 bracket and SPX-06 Rotor system



# Example setup STR-04

Mounted: 3Meter Mesh dish and UA-02 bracket and SPX-06 Rotor system



All prices can be found in the price list.  
Download or open it for free:  
<https://www.rhamdesign.com/pricelist/index.php>

# STR-04 Tripod

- ✓ Mounted 3 Meter RF HAMDESIGN Dish
  - ✓ BIG-RAS/HR Antenna rotor
  - ✓ Dish Feed Mounting Bracket CLX-05
- ✓ UA-02 Mounting Bracket incl counter weight

Detail:

- #1 Check the shadow of the dish feed bracket from the sun on the center of the antenna, during auto sun tracking.
- #2 The center post raised a few cm up from the ground for better stability.

