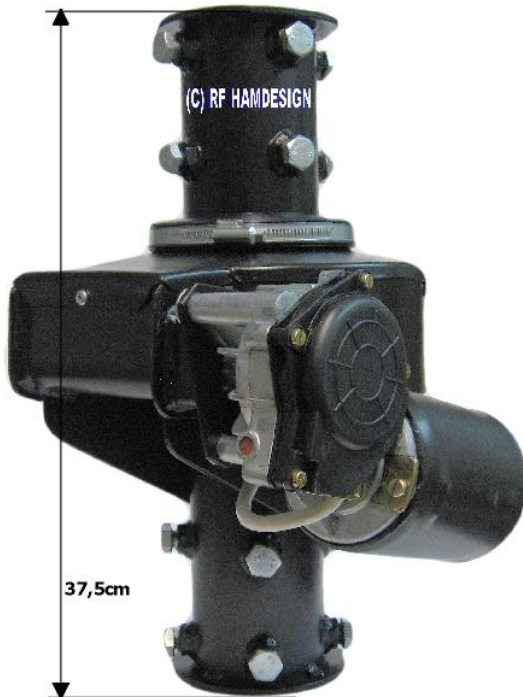
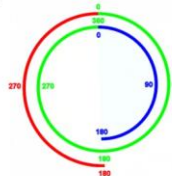


**SPID Azimuth antenna
rotator
Model: BIG-RAK**




Normal 360
- 180
or
+540 from
North 0
for
total of 720



Specifications: SPID BIG RAK Azimuth Rotator	BIG RAK @ 12V	BIG RAK @ 18V
Turning torque in-lbs/Nm	2,800 in lb/315 Nm	3,600 in lb/403 Nm
Brake Torque in lbs/Nm	24,000 in lb/2,712 Nm	24,000 in lb/2,712 Nm
Brake Construction	Double Worm Gears	Double Worm Gears
Vertical Load lbs/Kg	>700 lbs/318 Kg	>700 lbs/318 Kg
Rotation Speed (360 Deg)	210 sec	140 sec (24V 100 sec)
Resolution	0.5 deg	0.5 deg
Rotation Range Az/El	360 deg	360 deg
Weight lbs / Mass Kg	26.5 lbs/12 Kg	26.5 lbs/12 Kg
Position Sensor	Reed Switch	Reed switch
Mast size inches/mm bottom mount	2.67717 inch / 68 mm	2.67717 inch / 68 mm
Mast size inches/mm top mount	2.67717 inch / 68 mm	2.67717 inch / 68 mm
Environment	Ground / Mobile free air and / or Sheltered	
MTBF	12500 hours @ -20 to 55°C	
Control cable core	4	4

Alle leveringen dienen te worden betaald binnen 30 dagen na factuurdatum. Voor alle door ons gesloten overeenkomsten, leveringen en diensten gelden onze algemene verkoop en leveringsvoorwaarden welke op www.rfhamdesign.com zijn vermeld. All transactions, deliveries and services are subject to the terms and conditions of delivery which can be found at www.rfhamdesign.com

RF HAMDESIGN is ingeschreven in het handelsregister K.v.K. te Leeuwarden Nr: 01107005
RF HAMDESIGN is written in at the Chamber of Commerce in Leeuwarden, the Netherlands Nr: 01107005

Specifications Controller:		
Supply voltage	12 to max 18 Volt	
Power consumption	3.....5 A	
Supplied including	<ul style="list-style-type: none"> • Digital controller • Build in PC track interface (USB) • Software • Mouse • USB cable • Fast setup sheet 	
Option PWM (soft start/stop)	No	
Dimensions	220x125x40mm	
Weight:	0.9 Kg	
Case	Aluminium / steel	
Environment	Ground / Mobile Sheltered	
MTBF	15000 hours @ -5 to +40°C	
Display	4 digit (green)	
Control cable 8-core	Connection inc. 1* 4 pin-DIN connector	

RF HAMDESIGN & Spid Controllers will support the following software:

- ✓ PST Rotor (Also /HR controllers MD-0X)
- ✓ MacDoppler (MacDoppler Ham Radio Satellite Tracking for Macintosh)
- ✓ N1MM Logger
- ✓ Ham Radio Deluxe
- ✓ Logic 7 Version => 7.0.45
- ✓ Orbiton Satallite Tracking
- ✓ Gpredict Satallite Tracking Linux and MAC
- ✓ SatPC32 Satallite Tracking - works on windows only
- ✓ DXLab (DX View)
- ✓ TRXmanager

Most software should also work if it supports Yaesu type rotators !

Note:

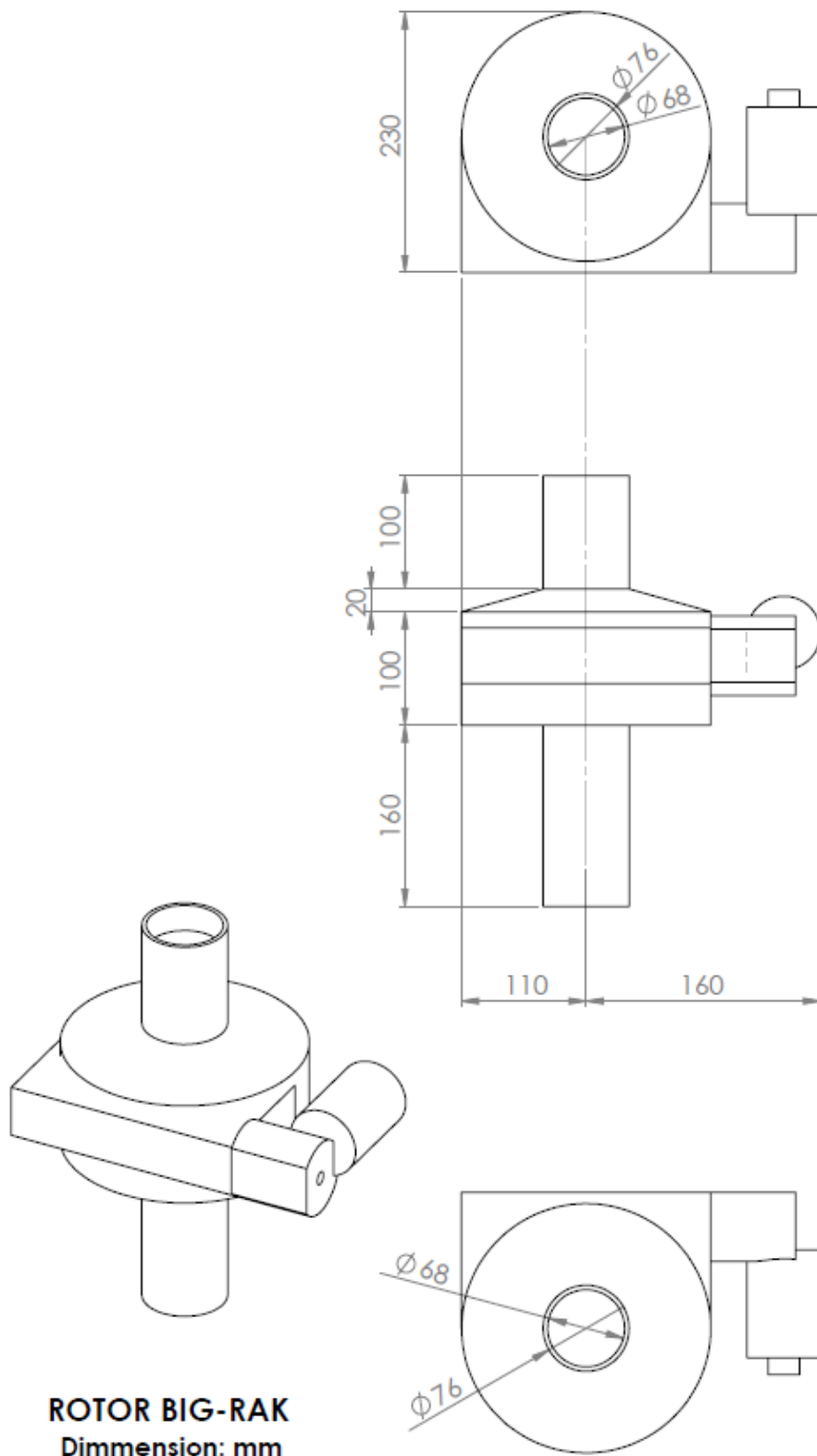
#1 Software may have new versions and some options may have changed

#2 We have not tested all this software !

#3 Most software is for use with Rot2Prog (Dual-Ax rotor AZ&EL), but some also work with the single Ax rotor system Rot1Prog.

Alle leveringen dienen te worden betaald binnen 30 dagen na factuurdatum. Voor alle door ons gesloten overeenkomsten, leveringen en diensten gelden onze algemene verkoop en leveringsvoorwaarden welke op www.rfhamdesign.com zijn vermeld.
All transactions, deliveries and services are subject to the terms and conditions of delivery which can be found at www.rfhamdesign.com

RF HAMDESIGN is ingeschreven in het handelsregister K.v.K. te Leeuwarden Nr: 01107005
RF HAMDESIGN is written in at the Chamber of Commerce in Leeuwarden, the Netherlands Nr: 01107005






ROTOR BIG-RAK
 Dimmension: mm

Alle leveringen dienen te worden betaald binnen 30 dagen na factuurdatum. Voor alle door ons gesloten overeenkomsten, leveringen en diensten gelden onze algemene verkoop en leveringsvoorwaarden welke op www.rfhamdesign.com zijn vermeld. All transactions, deliveries and services are subject to the terms and conditions of delivery which can be found at www.rfhamdesign.com

RF HAMDESIGN is ingeschreven in het handelsregister K.v.K. te Leeuwarden Nr: 01107005
 RF HAMDESIGN is written in at the Chamber of Commerce in Leeuwarden, the Netherlands Nr: 01107005

Available accesories

Accesories	Type	
Control cable 4-core Reel: 25meter / 50 meter	CC4-001/25	
SPID ADAPTOR Plate Used to Mount the rotator at a base-plate	SPID-ADAPT	
Power Supply Unit 16,5 Volt / 10 Amp (150W) Dim: 19 x 11 x 5 cm (LxBxH)	PW-15015LC	

Note: Prices can be found in our price list, download link at our web-site: www.rfhamdesign.com **All**

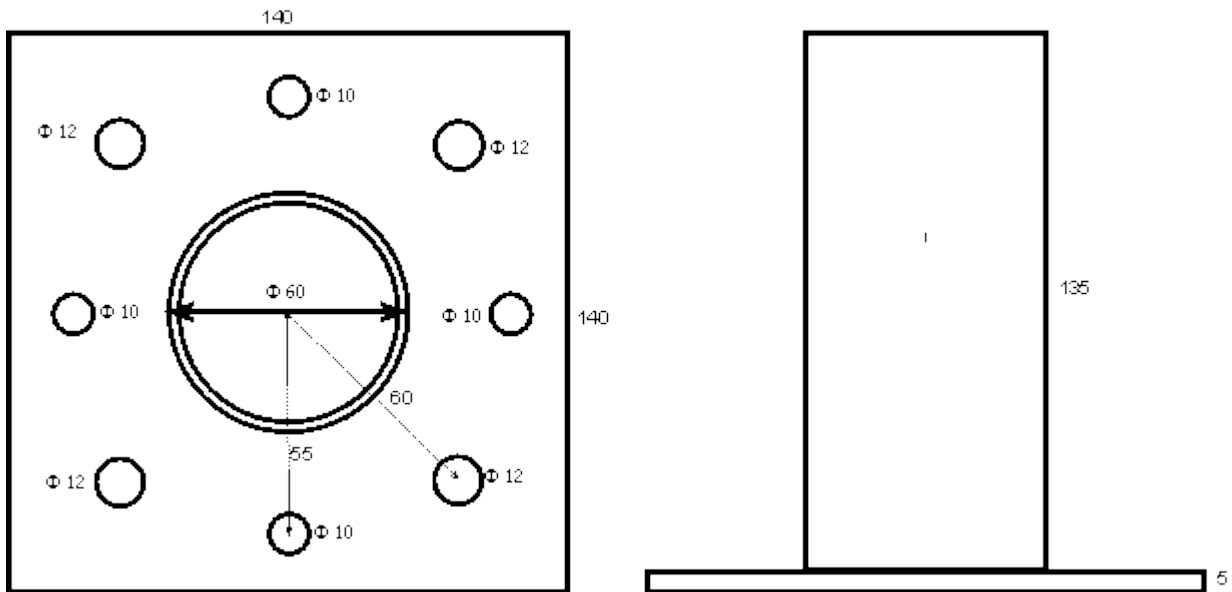
SPID BIG-RAK is supplied including:

- ✓ Controller incl. build in track interface (USB)
- ✓ Special mouse to control Azimuth
- ✓ USB Cable
- ✓ Connectors
- ✓ Quick start guide

Alle leveringen dienen te worden betaald binnen 30 dagen na factuurdatum. Voor alle door ons gesloten overeenkomsten, leveringen en diensten gelden onze algemene verkoop en leveringsvoorwaarden welke op www.rfhamdesign.com zijn vermeld.
 All transactions, deliveries and services are subject to the terms and conditions of delivery which can be found at www.rfhamdesign.com

RF HAMDESIGN is ingeschreven in het handelsregister K.v.K. te Leeuwarden Nr: 01107005
 RF HAMDESIGN is written in at the Chamber of Commerce in Leeuwarden, the Netherlands Nr: 01107005

Dimension SPID ADAPTOR Plate



Alle leveringen dienen te worden betaald binnen 30 dagen na factuurdatum. Voor alle door ons gesloten overeenkomsten, leveringen en diensten gelden onze algemene verkoop en leveringsvoorwaarden welke op www.rfhamdesign.com zijn vermeld.
All transactions, deliveries and services are subject to the terms and conditions of delivery which can be found at www.rfhamdesign.com

RF HAMDESIGN is ingeschreven in het handelsregister K.v.K. te Leeuwarden Nr: 01107005
RF HAMDESIGN is written in at the Chamber of Commerce in Leeuwarden, the Netherlands Nr: 01107005