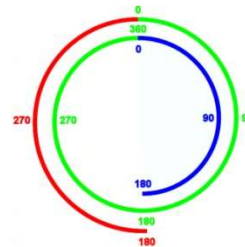


SPID Azimuth & Elevation antenna rotator Model: BIG-RAS



Normal 360
- 180
or
+540 from
North 0
for
total of 720



Specifications: SPID BIG RAS Azimuth and Elevation Rotator	BIG RAS @ 12V	BIG RAS @ 18V
Turning torque in-lbs/Nm	>4027 in lb / 455 Nm	> 4425 in lb/ 500 Nm
Brake Torque in lbs/Nm	24,000 in lb/2,712 Nm	24,000 in lb/2,712 Nm
Brake Construction	Double Worm Gears	Double Worm Gears
Vertical Load lbs/Kg	>700 lbs/318 Kg	>700 lbs/318 Kg
Rotation Speed (360 Deg)	120 sec	90 sec
Resolution	0.5 deg	0.5 deg
Rotation Range Az/EI	360/180 deg	360/180 deg
Weight lbs / Mass Kg	48 lbs/22 Kg	48 lbs/22 Kg
Position Sensor	Reed Switch	Reed switch
Mast size inches/mm Bottom mount	2.6 in/66 mm	2.6 in/66 mm
Mast size inches/mm Elevation	2.0 in/50 mm	2.0 in/50 mm
Environment	Ground / Mobile free air and / or Sheltered	
MTBF	12500 hours @ -20 to +55°C	
Control cable core	8	8

Alle leveringen dienen te worden betaald binnen 30 dagen na factuurdatum. Voor alle door ons gesloten overeenkomsten, leveringen en diensten gelden onze algemene verkoop en leveringsvoorwaarden welke op www.rfhamdesign.com zijn vermeld.
All transactions, deliveries and services are subject to the terms and conditions of delivery which can be found at www.rfhamdesign.com

Specifications Controller:			
Supply voltage	12 Volt	18 Volts	
Current consumption	6.....10 A	6.....15 A	
Supplied Including	<ul style="list-style-type: none"> • Digital controller • Build in PC track interface (USB) • Software • Mouse • USB-cable • Fast Setup sheet 		
Dimensions	245x235x40mm		
Weight:	1.6 Kg		
Case	Aluminium / steel		
Environment	Ground / Mobile Sheltered		
MTBF	15000 hours @ -5 to +40°C		
Display	2* 4 digit (green)		
Control cable 8-core	Connection inc. 2* 4 pin-DIN connector		

RF HAMDESIGN & Spid Controllers will support the following software:

- ✓ PST Rotor (Also /HR controllers MD-0X)
- ✓ MacDoppler (MacDoppler Ham Radio Satellite Tracking for Macintosh)
- ✓ N1MM Logger
- ✓ Ham Radio Deluxe
- ✓ Logic 7 Version => 7.0.45
- ✓ Orbiton Satallite Tracking
- ✓ Gpredict Satallite Tracking Linux and MAC
- ✓ SatPC32 Satallite Tracking - works on windows only
- ✓ DXLab (DX View)
- ✓ TRXmanager

Most software should also work if it supports Yaesu type rotators !

Note:

#1 Software may have new versions and some options may have changed





#2 We have not tested all this software !

#3 Most software is for use with Rot2Prog (Dual-Ax rotor AZ&EL), but some also work with the single Ax rotor system Rot1Prog.

Alle leveringen dienen te worden betaald binnen 30 dagen na factuurdatum. Voor alle door ons gesloten overeenkomsten, leveringen en diensten gelden onze algemene verkoop en leveringsvoorwaarden welke op www.rfhamdesign.com zijn vermeld.
All transactions, deliveries and services are subject to the terms and conditions of delivery which can be found at www.rfhamdesign.com

RF HAMDESIGN is ingeschreven in het handelsregister K.v.K. te Leeuwarden Nr: 01107005
RF HAMDESIGN is written in at the Chamber of Commerce in Leeuwarden, the Netherlands Nr: 01107005

Available accesories

Accessories	Type	
Mounting bracket	FPD-BR01	
Control cable 8-core (8x1,5mm²) Reel: 25, 50, 75 or 100meter	CC8-001/25	
SPID ADAPTOR Plate Used to Mount the rotator at a base-plate	SPID-ADAPT	
Power Supply Unit 13,5-18 Volt / 20 Amp (320W) Dim: 23 x 11,5 x 5,5 cm (LxBxH)	PW-32015	

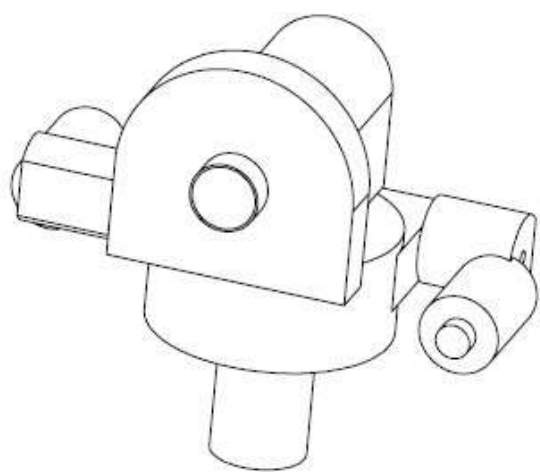
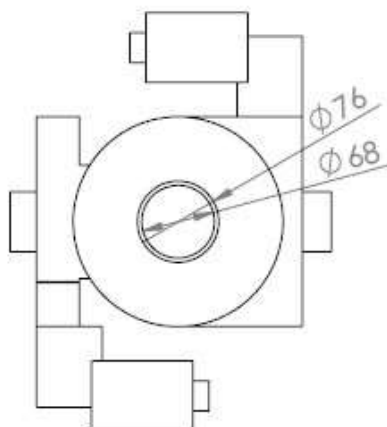
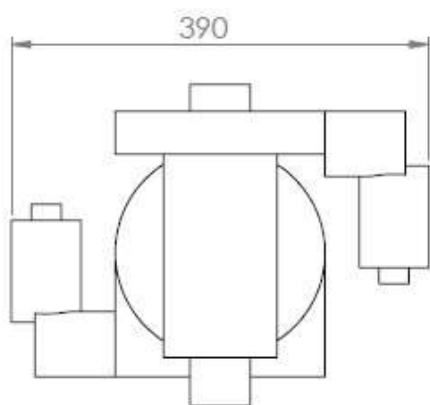
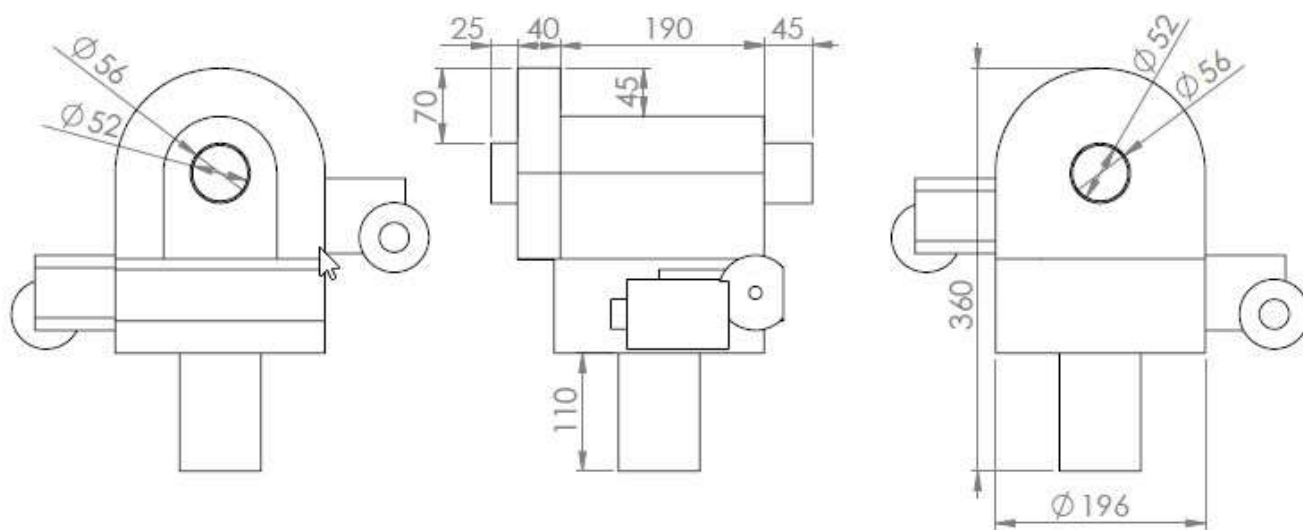
Note: Prices can be found at our price list, download link at our web-site: www.rfhamdesign.com

All SPID Rotators are supplied incl:

- ✓ Controller incl. build in track interface (USB)
- ✓ Special mouse to control AZ / AZ & EL Ax
- ✓ USB Cable
- ✓ Connectors
- ✓ CD-Rom
- ✓ Quick start guide

Alle leveringen dienen te worden betaald binnen 30 dagen na factuurdatum. Voor alle door ons gesloten overeenkomsten, leveringen en diensten gelden onze algemene verkoop en leveringsvoorwaarden welke op www.rfhamdesign.com zijn vermeld.
All transactions, deliveries and services are subject to the terms and conditions of delivery which can be found at www.rfhamdesign.com

RF HAMDESIGN is ingeschreven in het handelsregister K.v.K. te Leeuwarden Nr: 01107005
RF HAMDESIGN is written in at the Chamber of Commerce in Leeuwarden, the Netherlands Nr: 01107005

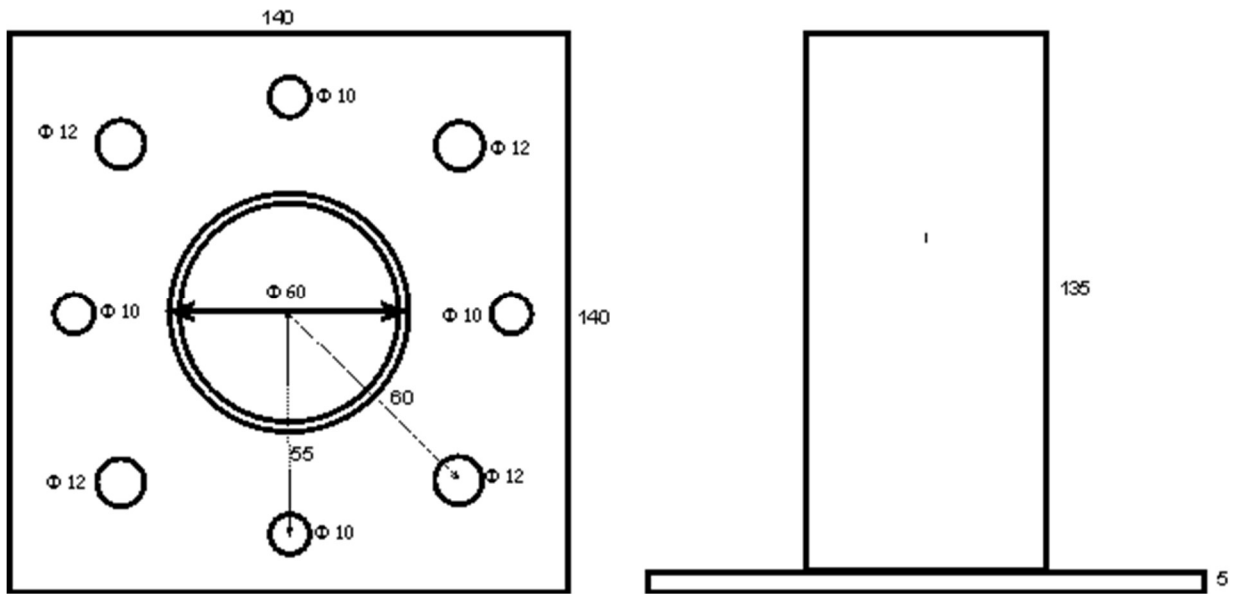


ROTOR BIG-RAS
 Dimmension: mm

Alle leveringen dienen te worden betaald binnen 30 dagen na factuurdatum. Voor alle door ons gesloten overeenkomsten, leveringen en diensten gelden onze algemene verkoop en leveringsvoorwaarden welke op www.rfhamdesign.com zijn vermeld.
 All transactions, deliveries and services are subject to the terms and conditions of delivery which can be found at www.rfhamdesign.com

RF HAMDESIGN is ingeschreven in het handelsregister K.v.K. te Leeuwarden Nr: 01107005
 RF HAMDESIGN is written in at the Chamber of Commerce in Leeuwarden, the Netherlands Nr: 01107005

Dimension SPID ADAPTOR Plate



Alle leveringen dienen te worden betaald binnen 30 dagen na factuurdatum. Voor alle door ons gesloten overeenkomsten, leveringen en diensten gelden onze algemene verkoop en leveringsvoorwaarden welke op www.rfhamdesign.com zijn vermeld.
All transactions, deliveries and services are subject to the terms and conditions of delivery which can be found at www.rfhamdesign.com

RF HAMDESIGN is ingeschreven in het handelsregister K.v.K. te Leeuwarden Nr: 01107005
RF HAMDESIGN is written in at the Chamber of Commerce in Leeuwarden, the Netherlands Nr: 01107005