

SPX Azimuth Antenna Rotor Model SPX-361



SPX-361 and PLATE-03 & 04
(Plate-03 & 04 is accessory)



Rot1Prog Controller

SPX-361 Azimuth Rotator is a **Light Duty**, low weight, low cost solution to Rotate in Azimuth your Antenna, small Dish, Astronomy Telescope, Camera, Light Box and many more which must be rotate.

Supplied controller comes with build in Track interface (USB), lot of tracking program available and easy to install on your Lap-Top or PC and connect the Controller through USB.

But if you prefer you can operate manual by pressing the buttons on the front of the panel or supplied mouse, Resolution is 1 degree / step and displayed on the front LED display.

SPX-361 Rotator standard supplied including:

- ✓ Flat mount top plate
- ✓ Flat mount bottom plate
- ✓ Controller incl. build in track interface (USB)
- ✓ Special mouse to control Azimuth rotation
- ✓ USB Cable
- ✓ Connectors
- ✓ CD-Rom
- ✓ Quick start guide



SPX-361 standard delivery

Specifications:	SPX-361
Turning torque	50 Nm
Brake Torque	250 Nm
Brake Construction	Double Worm Gears
Maximal Vertical Load	30 Kg
Rotation Speed (360 Deg)	+/- 50 sec / 15 Volts DC
Resolution	1 deg
Rotation Range Azimuth	360 deg
Weight Mass Kg	5,5 Kg
Position Sensor	Reed Switch
Mast size Bottom mount	Depends on Accesories
Mast size Elevation mount	Depends on Accesories
Control cable core standard version	4 Core 1.5mm2 unscreened
Environment	Ground / Mobile free air and / or Sheltered
MTBF	12500 hours @ -20 to +55°C
IP Rating Rotor / Connector	IP55 / IP68

Specifications Controller:	
Supply voltage	12.....18 Volts DC
Current consumption	3.....6A (Max current depends on load)
Supplied with	Digital controller, build in PC track interface (USB), software, mouse, PC-cable
Dimensions	220 x 120 x 35 mm
Weight:	1.0 Kg
Case	Aluminium / steel
Environment	Ground / Mobile Sheltered
MTBF	15000 hours @ -5 to +50°C
Display	2* 4 digit (green)
Control cable 8-core	Connection inc. 2* 4 pin-MC connector
Output	USB port for connection PC (Optional COM 9 – RS-232)

RF HAMDESIGN & SPX Controllers will support the following software:

- ✓ PST Rotor (Also /HR controllers MD-0X)
- ✓ MacDoppler (MacDoppler Ham Radio Satellite Tracking for Macintosh)
- ✓ N1MM Logger
- ✓ Ham Radio Deluxe
- ✓ Logic 7 Version => 7.0.45
- ✓ Orbiton Satallite Tracking
- ✓ Gpredict Satallite Tracking Linux and MAC
- ✓ SatPC32 Satallite Tracking - works on windows only
- ✓ DXLab (DX View)
- ✓ TRXmanager

Most software should also work if it supports Yaesu type rotators !







Note:

#1 Software may have new versions and some options may have changed

#2 We have not tested all this software !

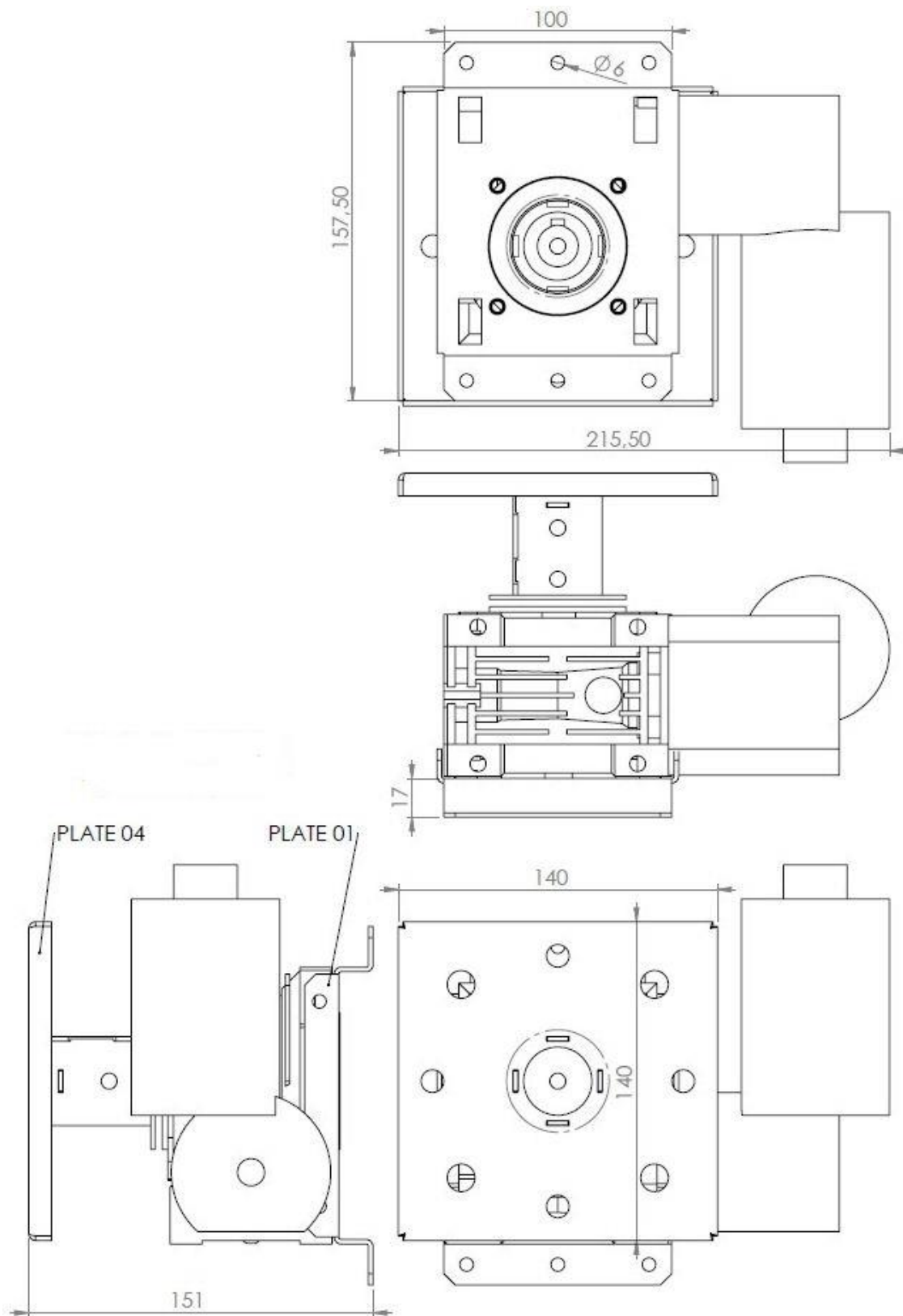
#3 Most software is for use with Rot2Prog (Dual-Ax rotor AZ&EL), but some also work with the single Ax rotor system Rot1Prog.

Available accessories

SPX Accessories	P/N Refer Pricelist	Model
<p style="text-align: center;">PLATE-03 Mast Pole Mount Base</p> <p>(Base mast outside diameter: 48 – 52mm) Weight: 1.6Kg</p>	PLATE-03	
<p style="text-align: center;">PLATE-04 Heavy Duty Mast Pole Mount Head Unit Or Mount Base</p> <p>(Mast outside diameter: 42 / 80mm) Weight: 2.7Kg</p>	PLATE-04	
<p style="text-align: center;">GS-065 Thrust Bearing for use with PLATE-03</p> <p>for mast diameters up to 65 mm Weight GS-065: 1Kg</p>	GS-065	  
<p>Control cable 4-core (4x1,5mm²)</p> <p>Available in: 25, 50, 75, 100 meter lengths</p>	CC4-001/25	
<p>Power supply, Desktop model Output: 9 – 15 Volts / 20 Amp DC (300W) Input: 110 – 230 Volts AC</p> <p>Dim: 155 x 70 x 205 mm (W x H x D) Weight: 1.5 Kg</p>	PSU-1228	
<p>Power supply, Enclosed model Output: 13,5 – 16,5 Volt / 10 Amp DC (150W) Input: 110 – 230 Volts AC</p> <p>Dim: 19 x 5 x 11 cm (W x H x D) Weight: 0.7 Kg</p>	PW-15015LC	

Note: Actual Prices can be found in our price list, download link at our web-site: www.rfhamdesign.com

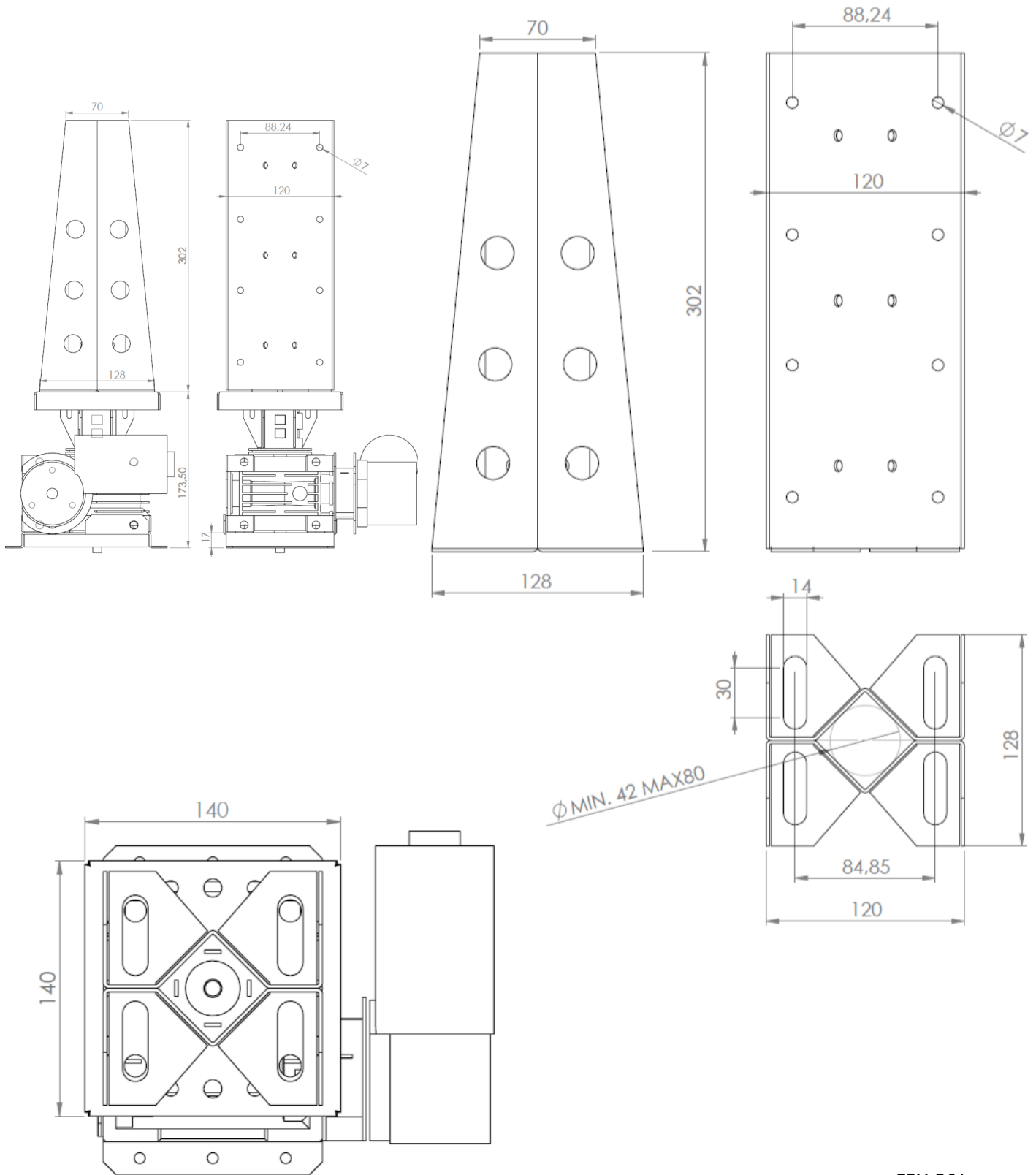
SPX-361 Azimuth antenna rotator



SPX-361
Dimensions in mm

SPX-361 PLATE-04

(Can be used as top mount and bottom mount)



SPX-361
Dimensions in mm

SPX-361 Top pole mounting options



SPX-361 standard configuration and additional PLATE-03

In this setup the standard supplied flat mounting plate is used to mount a horizontal pipe or antenna boom.
(Mounting Accessories to mount horizontal pipe are not supplied)



SPX-361 + PLATE-03 + PLATE-04

Optional BASE Plate mounting Bracket P/N: STR-00

This Bracket can be used to mount your antenna installation direct on the concrete or an heavy duty concrete slab by use of screws.

Max vertical pole length which can be placed depends on mounting antenna or object.

For example, 1 or 1.2 Meter dish, Max pole height 1.8Meter, Drawing example can be found on this page.

- Vertical Pole diameter mount: from 32 to max 75mm
- Weight: 5.6 Kg
- Supplied incl mounting clamp vertical pole (3 x)
- Supplied incl mounting hardware but without mounting screws concrete !
- Material: laser cutted, steel, painted black

